



Basics Roller & Screen Collection

Standard Shade Installation Instructions



CONTENTS

GETTING STARTED.....	2
INSTALLATION	3
Step 1: Install the Brackets	3
Step 2: Install the Shade	3
Step3: Install the End Caps	4
Step 4: Installing the Beaded Cord Tensioner.....	5
OPERATION	6
Clutch Control	6
Beaded Chain Control	6
CARE.....	7
Removing the Shade	7
Cleaning	8
CHILD SAFETY.....	8
WARRANTY.....	9

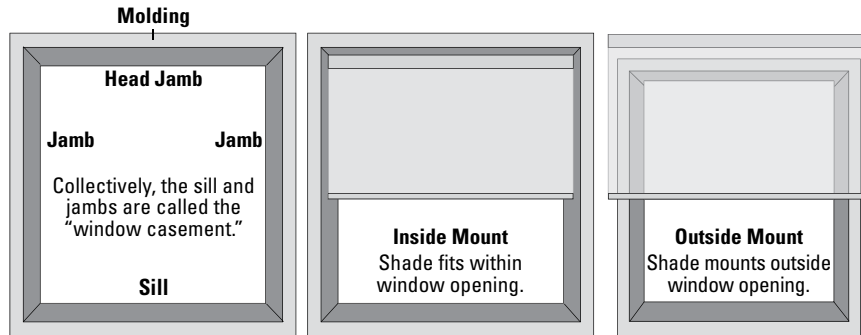
GETTING STARTED

Thank you for purchasing the Kirsch® Basic Roller & Screen Shade Collection. With proper installation, operation, and care, your new shades will provide years of beauty and performance.

Please thoroughly review this instruction booklet and the enclosed packing list before beginning the installation.

Mounting Types and Window Terminology

If the installation brackets are mounted correctly, the rest of the installation process follows easily. To prepare for this important first step, review the mounting types and basic window terminology illustrated below.



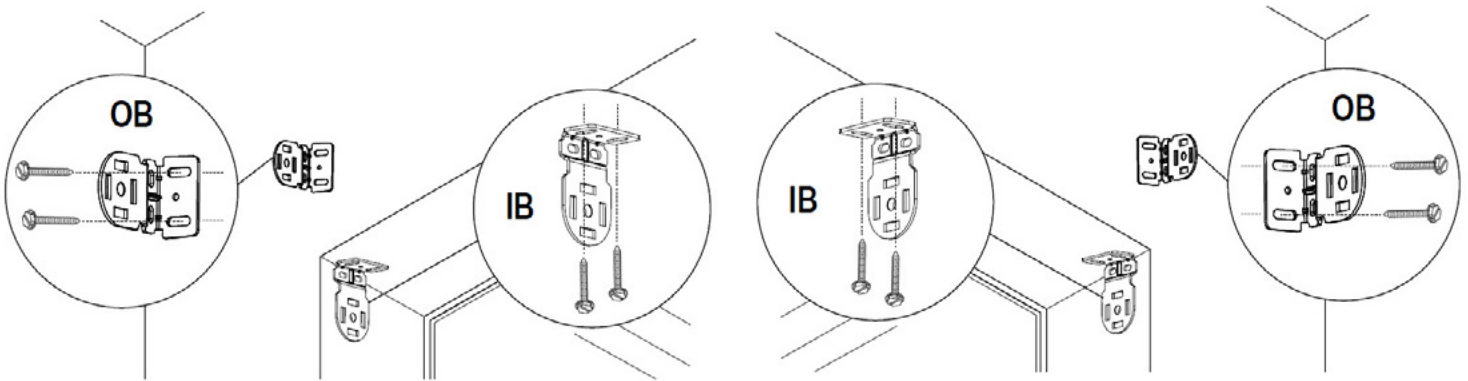
INSTALLATION

Step 1: Install the Brackets

IMPORTANT: The front edges of the installation brackets must be level and aligned to each other.

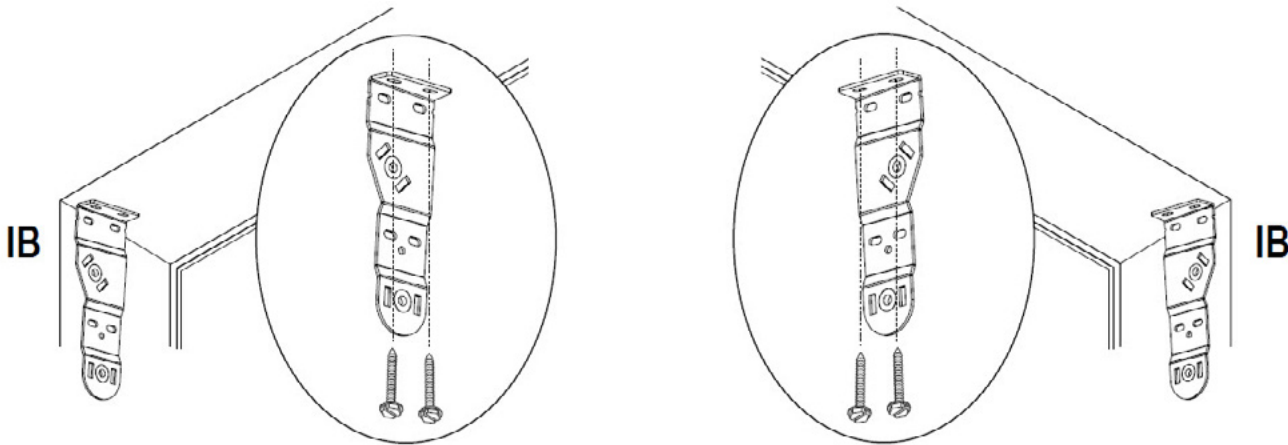
Open Roll Tubes 1 1/8" to 2 1/2"

- **Inside Mount (IB):** Install each bracket with two screws either through the side or up through the stop.
- **Outside Mount (OB):** Secure each bracket with two screws.
 - Minimum mounting surface height requirement is 1 3/4".



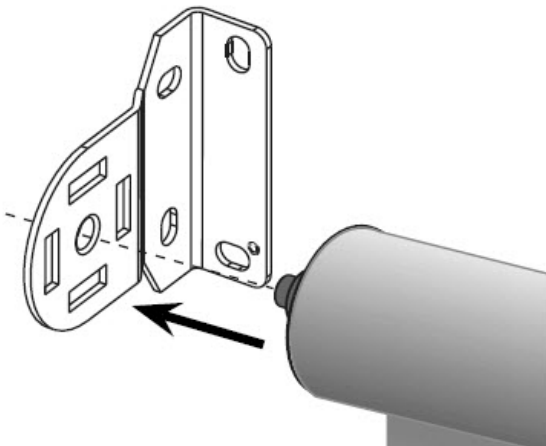
Double Brackets

- **Inside Mount (IB):** Install each bracket with two screws through the top.
 - Minimum mounting surface height requirement is 2 1/8" to 4".



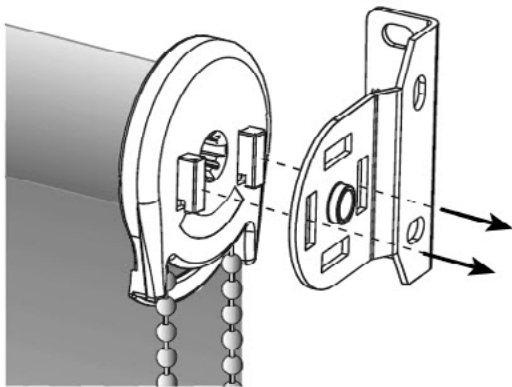
Step 2: Install the Shade

- Place the spring loaded pin end into the round hole of the bracket.

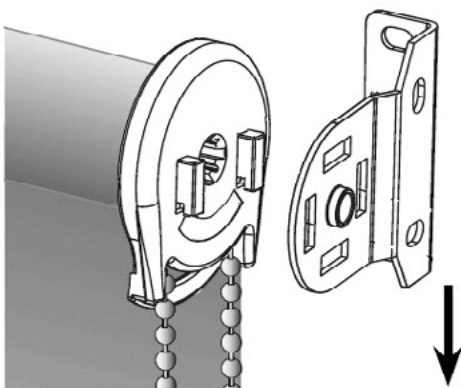


INSTALLATION

- Keeping the pin end secure in its bracket, insert the hooks on the clutch straight into the two slots in the bracket.

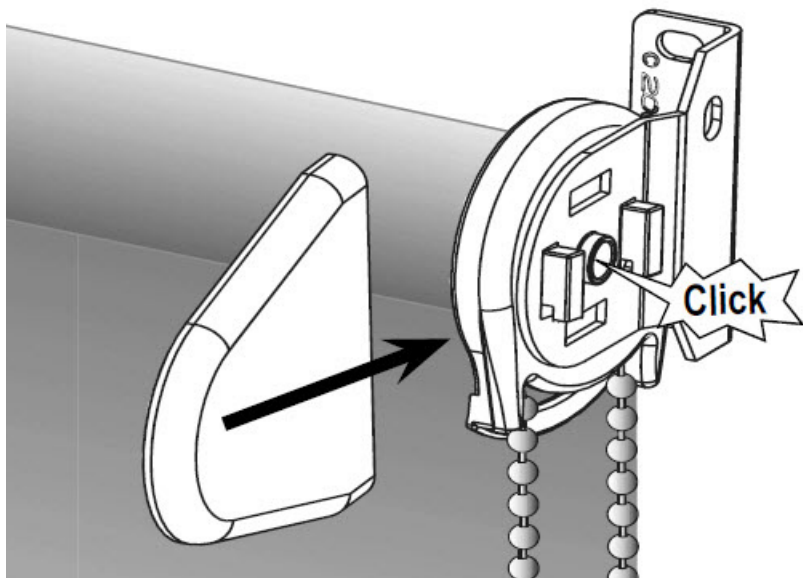


- Gently pull downward on the side with hooks until the hooks have locked securely to the bracket.
 - ▶ The bottom of the clutch should point straight down.



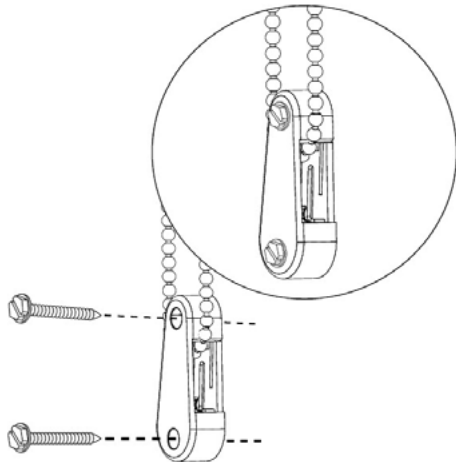
Step3: Install the End Caps

- Press end caps towards window until you hear the click.

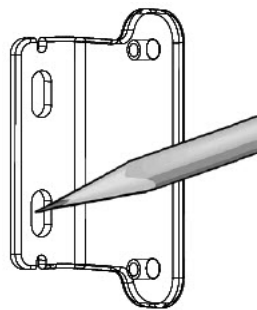


Step 4: Installing the Beaded Cord Tensioner

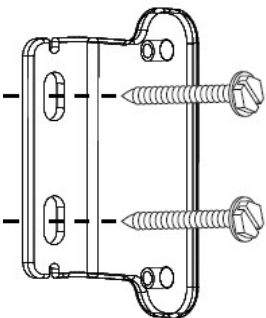
- Pull tension device down until chain is taut.
- Move the tension device up approximately 1/8"



- Mark the upper and lower screw hole

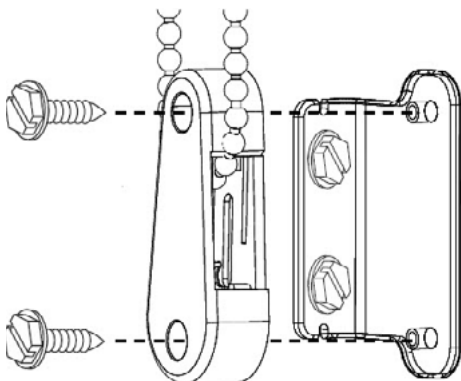


- Install bracket with screws provided



- Install device with screws provided

IMPORTANT: DO Not Over-Tighten.



Clutch Control

Lower Shade

- Grasp the handle or center of the bottom rail and gently pull the shade down to the bottom rail
- Gently pull the shade down to the desired position.
- Release the shade and it will lock into position.

Raise shade

- Gently pull the handle or center of the bottom rail down slightly to release the locking mechanism
- Guide the shade to the desired position.
- Gently pull down slightly to engage the lock.

Beaded Chain Control

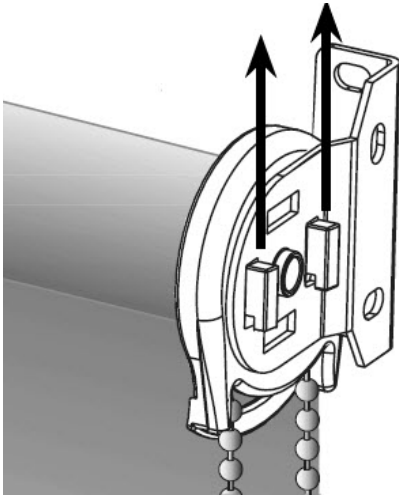
Lower Shade

- Pull gently on the front or back of the tensioner-secured beaded chain to lift or lower the shade.

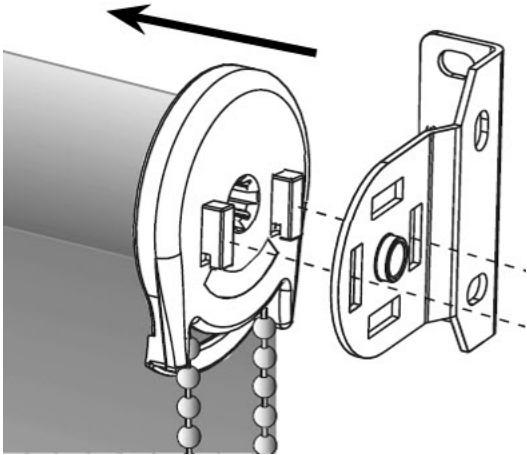
NOTE: If the tensioner moves up the chain while operating, you have not secured it to the wall or window frame. You must do so for the shade to operate properly.

Removing the Shade

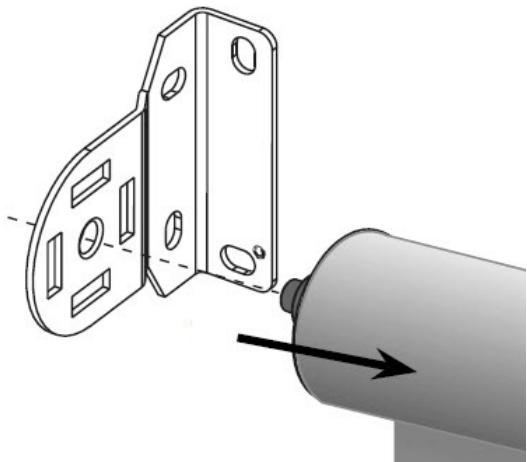
- Raise the shade
- Gently lift up the control unit (hooks end) to disengage, until the hooks touch the top part of the bracket slot.



- Slide the roll towards the spring loaded pin end until the hoods are completely out of the bracket slots.



- Remove the spring loaded pin end from the idler bracket.



Cleaning

Dusting

- Dust your shades regularly using an ordinary soft, clean cloth, dust cloth or mitt, feather-like duster, or cylindrical dust brush specially designed for shades.

Vacuuming

- For deeper cleaning, vacuum gently with a brush attachment.

Compressed Air

- Use a can of compressed air or a hand-help hair dryer on the COOL setting to blow off dust and debris.

Spot Cleaning (screen shades and vinyls only)

- Use a soft cloth or sponge moistened with luke warm water and mild detergent.
- Blot gently to avoid creasing or damaging the fabric.

CAUTION: DO NOT USE this method on delicate woven fabrics.

CHILD SAFETY

WARNING/ADVERTENCIA



Window Blind Cord Can **STRANGLE** Your Child. To prevent strangulation, purchase cordless products or products with inaccessible cords.

La cuerda de la persiana puede **ESTRANGULAR** a su niño. Para evitar el estrangulamiento, compre alternativas cuerda o productos con cuerdas inaccesibles.

WARNING

STRANGULATION HAZARD – Young children can be strangled by cords. Immediately remove this product if a cord longer than 22 cm or a loop exceeding 44 cm around becomes accessible.

MISE EN GARDE

RISQUE D'ÉTRANGLEMENT – Les enfants en bas âge peuvent s'étrangler avec des cordes. Enlevez immédiatement ce produit si une corde mesurant plus de 22 cm devient accessible ou si le contour d'une boucle de plus de 44 cm devient accessible.

Kirsch® is proud to extend a 10-year limited warranty on all Kirsch Custom Window Covering products. This is part of our commitment to providing the highest quality products, which has been our continued tradition since 1907.

COVERED

by a 10-Year
Limited Warranty

- Kirsch Custom Window Covering products are covered for defects in materials, workmanship or failure to operate for 10 years from the date of purchase (unless a shorter period is provided below), provided that the original retail purchaser continues to own the product.
- All internal mechanisms.
- Fabric delamination.
- Components, brackets and operational cords.
- Repairs and/or replacements will be made with like or similar parts or products. Fabric style, color or components may vary depending on original purchase date.
- Kirsch motorization components are covered for 5 years from the date of purchase.

NOT COVERED

by a 10-Year
Limited Warranty

- Any conditions caused by normal wear and tear.
- Abuse, accidents, misuse or alterations to the product.
- Exposure to the elements (sun damage, wind, water/moisture, salt air) and discoloration or fading over time.
- Normal maintenance associated with motors and related accessories including, but not limited to, recharging and replacement of batteries.
- Failure to follow our instructions with respect to measurement, proper installation, cleaning or maintenance.
- Shipping charges, cost of removal and reinstallation.

Kirsch (or its licensed fabricator/distributor) will repair or replace the product or components found to be defective.

TO OBTAIN WARRANTY SERVICE:

- Contact your original dealer (place of purchase) for warranty assistance.
- Contact Kirsch at 844-KIRSCH2 (844-547-7242) for technical support, certain parts free of charge, for assistance in obtaining warranty service or for further explanation of our warranty.

NOTE: In no event shall Kirsch or its licensed fabricator/distributor be liable or responsible for incidental or consequential damages or for any other indirect damage, loss, cost or expense. Some states do not allow the exclusion or limitation of incidental or consequential damages, so the above exclusion or limitation may not apply to you. This warranty gives you specific legal rights, and you may also have other rights which vary from state to state.

Different warranty periods and terms apply for commercial products and applications.

