



# Installation Instructions

## Rechargeable Battery Wand Headrail Mount and Satellite Mount

Thank you for purchasing the rechargeable battery wand. With proper installation and use, the battery wand will provide approximately one-year battery life per charge, and can then be recharged 500 times.

### Tools and Fasteners Needed

- Measuring tape and pencil
- Power drill with  $\frac{3}{32}$ " and Philips drill bit
- Level

- Flat Head Screws (Provided). Two #6 x 1½" screws are provided with each satellite battery wand.

**NOTE:** If you are not mounting to wood or drywall, you may need fasteners designed to work with your specific mounting surface(s).

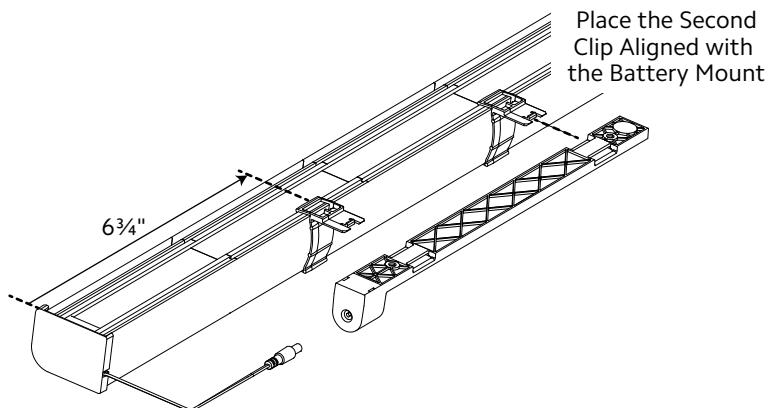
### Mounting Rechargeable Battery Wand

- **Headrail-mounted rechargeable battery wand:** Available with Woven Woods and Roman Shades.
- **Satellite-mounted rechargeable battery wand:** Available with Banded Shades, Roller Shades, Roman Shades, Screen Shades, and Woven Woods.
- Refer to the appropriate page below based on the mounting type chosen for your order:
  - **Headrail Mount — below**
  - **Satellite Mount — page 2**

### Headrail Mount

Outside mount shades need a spacer block installed with the installation bracket, refer to the *Installation, Operation and Care* Booklet included with your shade order for the instructions.

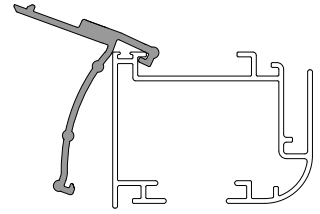
**NOTE:** Wand clips and battery mount must be installed before the shade is installed.



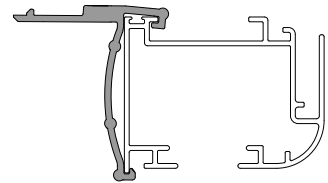
## INSTALLATION

- Position first clip at  $6\frac{3}{4}$ " from the shade end with the motor cable.
- Hold the battery mount up to the first headrail clip. Mount second clip based on the slots in battery mount.
- Attach the battery wand clip to the headrail.
- Hook the battery wand clip onto the back channel of the headrail.

**IMPORTANT:** Position the clip so that the battery wand is between installation brackets.



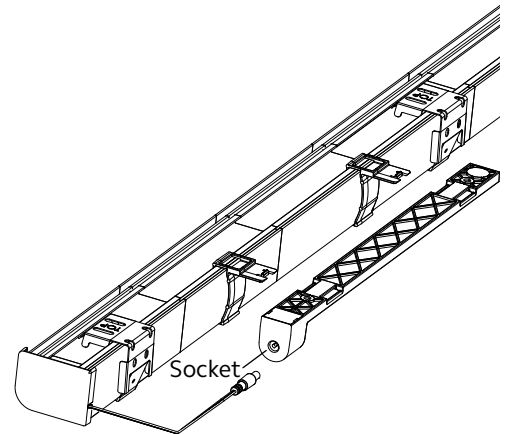
- Rotate the clip down until it snaps into place.



### Install the Battery Mount into the Clips

- From the back of the shade headrail, connect the power cable from the motor side into the socket on the rechargeable battery mount.
- Align the slots in the battery mount with the battery wand clips.
- Push the battery mount onto the battery wand clips until it snaps into place. Check to make sure the battery mount is secure.
- Install the shade into the mounted brackets, refer to the *Installation, Operation and Care Booklet* included with your shade order for the instructions.

**CAUTION:** Be sure the cable does not become pinched by the battery wand clips during installation. Damage or overheating of components could result.



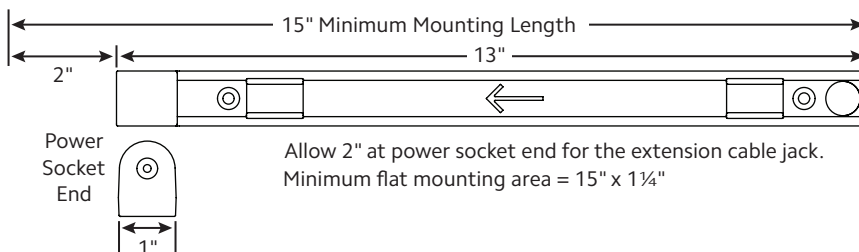
Proceed to "Insert the Battery Wand into the Battery Mount" on page 4.

### Satellite Mount

- Determine the location to mount the rechargeable battery wand.

**CAUTION:** To prevent overheating, do not install the rechargeable battery wand in direct sunlight.

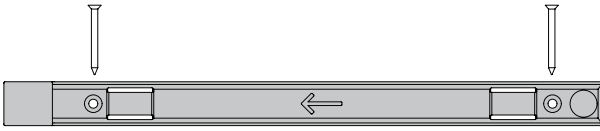
- The battery mount may be installed in any orientation.
- Plan placement of the battery mount so that the cable can be plugged into the power socket. Allow at least 2" clearance between jamb and wand mounting bracket at the power socket end.
- Ensure the socket is within range of the cable.



**CAUTION:** Install the battery mount on a flat surface only. Installing on a round or other non-flat surface may result in the battery wand not attaching into the mount properly. This can result in either a failure to connect the shade to power or the wand falling out of the mount.

## INSTALLATION

- Mark the screw holes for the rechargeable battery mount.



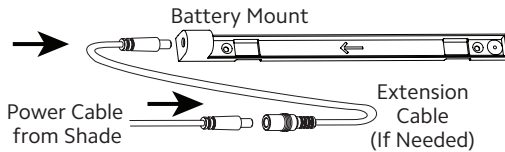
- Drill the screw holes using a 3/32" drill bit.
- Align the holes in the battery mount to the marks. Ensure that you position the battery mount so that the power socket side is closest to the shade's power cable.
- Attach the battery mount using the screws provided.

**CAUTION:** Only use the screws provided with the battery mount; screws are designed to install flush with the mount.

Protrusion of the screws could result in either the battery wand not attaching properly causing a failure to connect, or the wand falling out of the mount. Do not over-tighten.

### Connect Power to the Satellite Mount

- Connect the power cable from the shade to the power socket on the rechargeable battery mount. Use a 15', 4', 10', or 20' extension cable, if necessary.

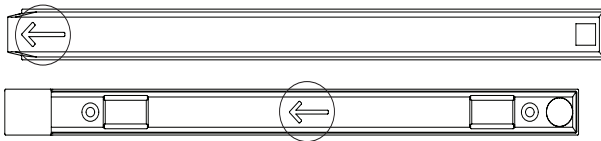


**WARNING:** Keep cables and small parts out of the reach of children. They can wrap cables around their necks and **STRANGLE**. They can also put small parts in their mouths and **CHOK**E.

**NOTE:** With longer extension cables, wire retainers (not supplied) are recommended to secure the cable.

### Insert the Battery Wand into the Battery Mount

- Match the direction of the arrow on the underside of the rechargeable battery wand with the arrow on the battery mount.



- Insert the nose of the battery wand into the cavity of the mount (the side plugged into the shade). Push the battery wand flush into the mount until the battery snaps into place.



### Test Shade Operation

- Press the programming button on the headrail to operate the shade and to verify that the battery wand is providing power. If the shade does not operate:
  - Check that the extension cable and battery wand connections are secure.
  - Check that the battery wand is correctly positioned in the mount.

### Recharging Your Battery Wands

There are two methods for charging the rechargeable battery wand — the dual charging station or the single charger.

**CAUTION:** Rechargeable battery wand can only be charged with Kirsch® provided charging options — alternative charging devices may result in permanent damage.

## INSTALLATION

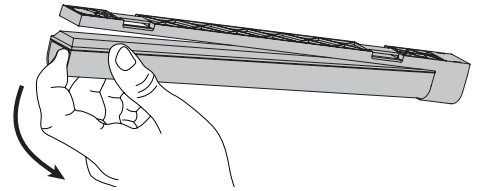
### Removing the Rechargeable Battery Wand from the Mount

- To safely remove the rechargeable battery wand from your shade, grasp the end of the battery wand that is furthest away from the power socket.

**CAUTION:** Grasp the wand firmly prior to removal.

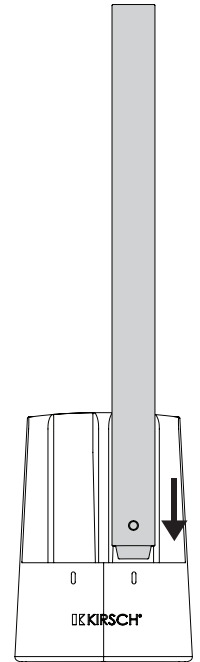
- Using the indentation on the end of the battery wand, use your index finger to pull the battery out of the mount.

**NOTE:** The mount should remain installed and plugged into the shade cable during this process. You will remove the wand from the mount.



### Dual Charging Station

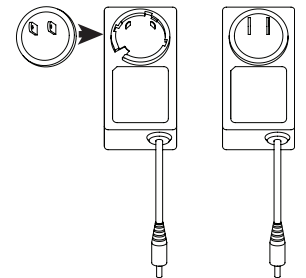
- Plug the dual charging station into a standard AC outlet.
- Insert the nose of the rechargeable battery wand into the dual charging station slot.
- Battery snaps firmly into place. A red indicator light confirms the battery wand is properly inserted and is charging.
- Once the battery has been fully recharged, the light indicator turns green. Charging may take up to three hours, depending on your battery level.
- Remove the battery wand from the charger and reinsert into the rechargeable battery mount.
- If you removed the battery wand from the shade, reinsert the wand into the rechargeable battery mount. For instructions, see "Insert the Battery Wand into the Battery Mount" on page 3.



### Single Charger

When using the single charger, you can choose to remove the rechargeable battery wand from the mount, or insert the single charger cable without removing from the shade.

- Attach the plug adapter to the charger.
- Plug the charger into a standard AC outlet.



- Plug the charging cable into the charging outlet on the rechargeable battery wand. The charging outlet is near the nose of the wand.
- A red light indicator confirms the battery wand is properly inserted and is charging.

**CAUTION:** Do not attempt to plug the charging cable into the battery mount's power socket. Doing so will not only fail to charge the battery wand but could possibly cause damage to both the single charger and the battery mount.

- Once the battery has been fully recharged, the red light indicator will turn green. Charging may take up to two hours, depending on your battery level.
- Remove the charging cable from the battery wand.
- If you removed the battery wand from the shade, reinsert the wand into the rechargeable battery mount. For instructions, see "Insert the Battery Wand into the Battery Mount" on page 3.

